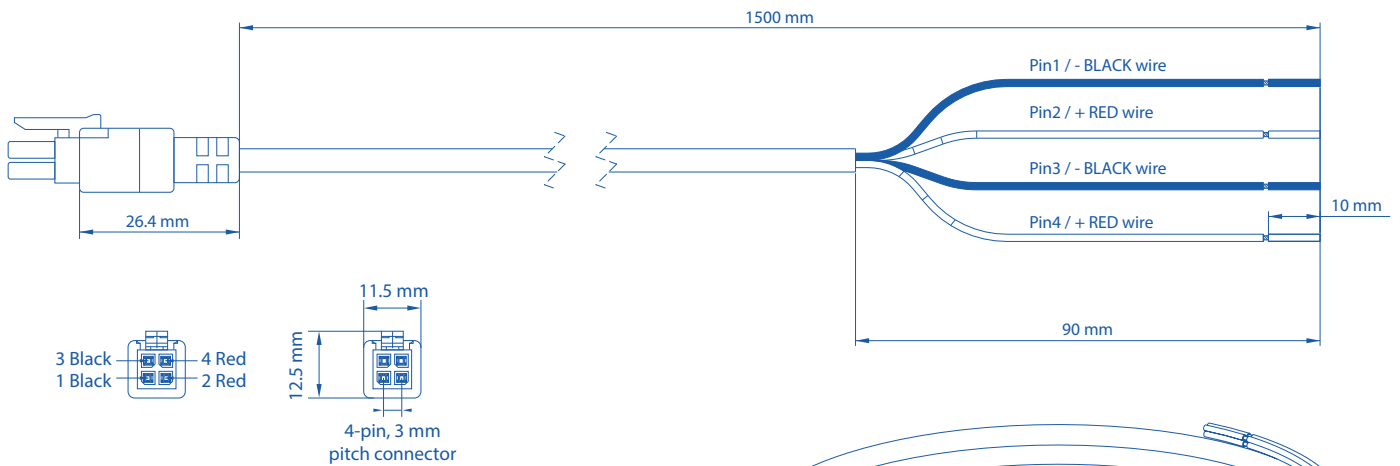


POWER CABLE WITH 4-WAY OPEN WIRE



TECHNICAL DATA

Input connector	4-way open wire
Output connector	4-pin, 3 mm pitch
Cable	4 x 0.5 mm ² (20 AWG)
Total Length	1500 mm
RoHS	✓
Maximum Voltage	300 V
Max UL-listed Voltage	300 V
Max DC Current Per Contact	4.5 A
Temperature Range	-20 °C to 80 °C
Cable Material Isolation Voltage kV	1.5 kV



WIRING DIAGRAM

P1	BLACK	OPEN
1	RED	OPEN
2	BLACK	OPEN
3	RED	OPEN
4	OPEN	OPEN

