


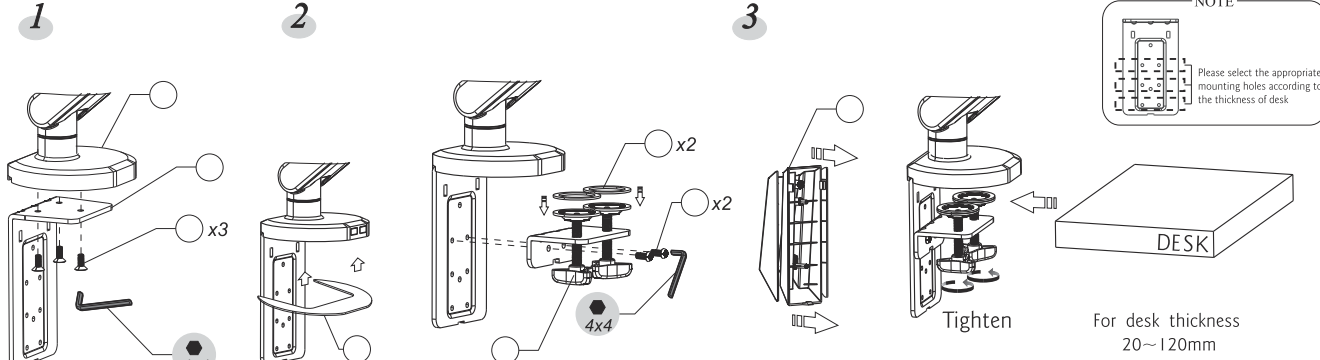


VISION

VFM-DS

A	M6x12MM		x3	B	M6x12MM		x8
C	M6x14MM		x2				

1-A

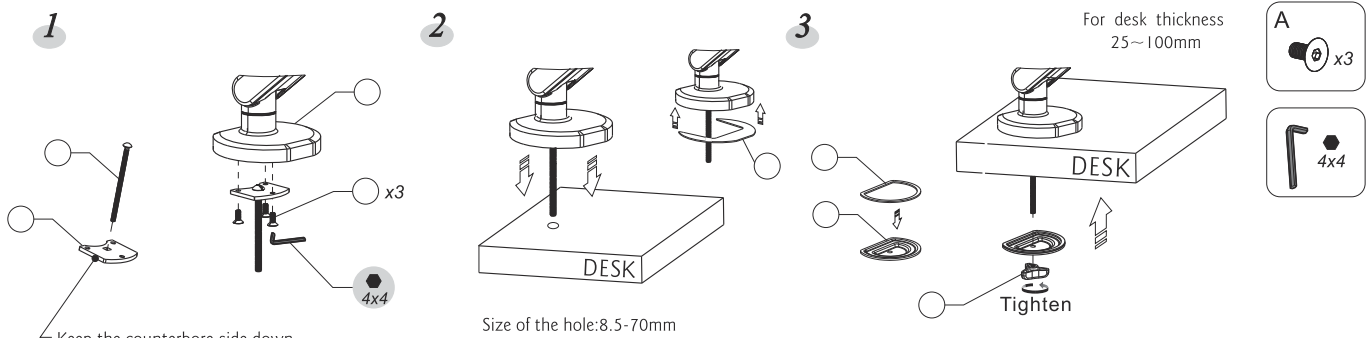


NOTE
Please select the appropriate mounting holes according to the thickness of desk.

Tighten

For desk thickness 20~120mm

1-B



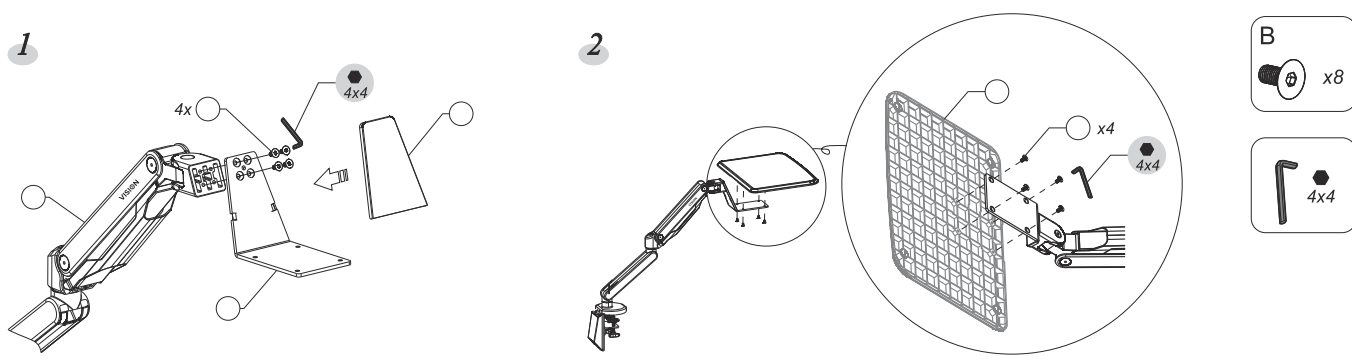
Keep the counterbore side down

Size of the hole: 8.5-70mm

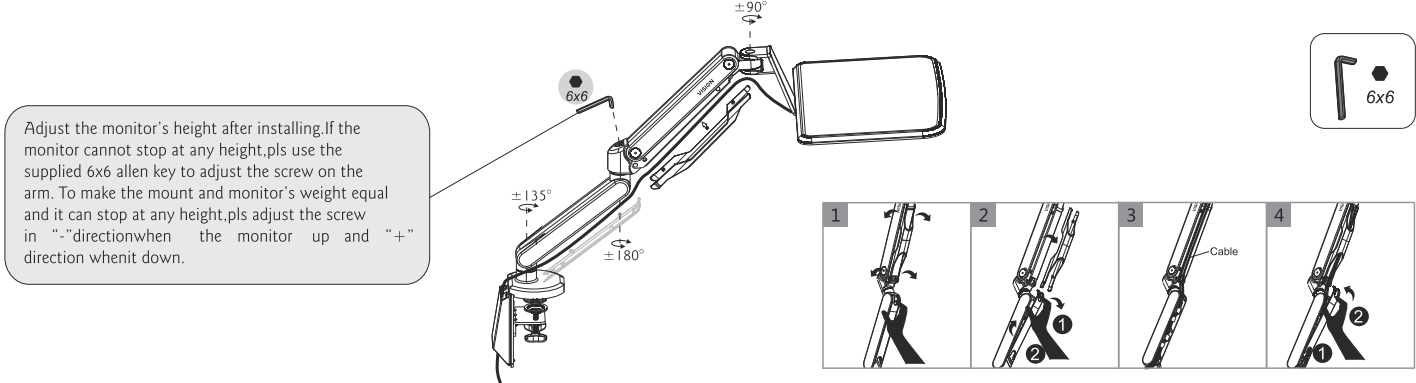
Tighten

For desk thickness 25~100mm

2



3



Adjust the monitor's height after installing. If the monitor cannot stop at any height, pls use the supplied 6x6 allen key to adjust the screw on the arm. To make the mount and monitor's weight equal and it can stop at any height, pls adjust the screw in "-" direction when the monitor up and "+" direction when it down.