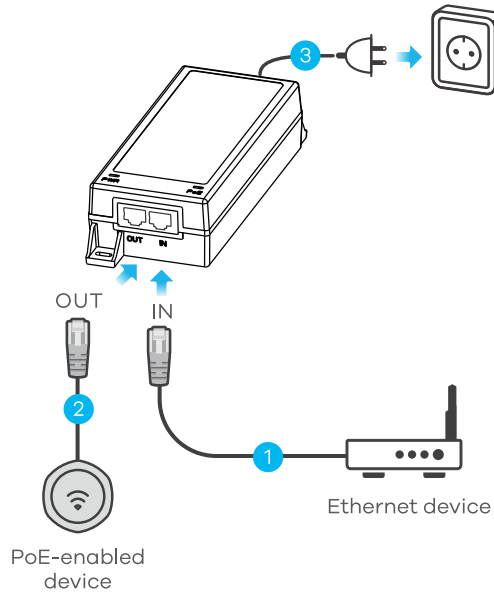


Quick Start Guide

ENGLISH | DEUTSCH | ESPAÑOL
FRANÇAIS | ITALIANO | РУССКИЙ
УКРАЇНСЬКА | 繁體中文

1 Connecting the PoE Injector



LEDs

PoE	Green On - PoE power is supplied.
PWR	Green On - The system is receiving power and an Ethernet cable is connected to the OUT port.
	— Off - The system is off or has failed.

Support Information

USA +1 800 255 4101 | <https://support.zyxel.eu>
support@zyxel.com

EU, Turkey and Russia

Taiwan +886 2 2739 9889
retail@zyxel.com.tw

EU Importer

Zyxel Communications A/S
Gladsaxevej 378, 2. th. 2860 Søborg, Denmark
<http://www.zyxel.com/dk/da>

US Importer

Zyxel Communications, Inc
1130 North Miller Street Anaheim, CA 92806-2001
<http://www.us.zyxel.com/us/en>



- EN** ① Connect an Ethernet device to the **IN** port of the PoE injector.
② Connect a PoE-enabled device to the **OUT** port of the PoE injector.
③ Use the included power cord to connect the PoE Injector's power socket to a power source (wall outlet or power strip).

- DE** ① Verbinden Sie den **IN** Port des PoE-Injector mit einem Ethernetkabel mit Ihrem Netzwerk.
② Verbinden Sie ihr PoE-Gerät mit dem Ethernetkabel mit dem **OUT** Port des PoE-Injector.
③ Schließen Sie das mitgelieferte Stromkabel an den Netzanschluss und an das Stromnetz an (Wandsteckdose oder Steckdosenleiste).

- ES** ① Conecte el dispositivo Ethernet al puerto **IN** de inyector PoE.
② Conecte el dispositivo que necesita ser alimentado vía PoE al puerto **OUT** del inyector PoE.
③ Utilice el cable de corriente incluido para conectar el enchufe eléctrico a la fuente de alimentación (toma de corriente o regleta).

- FR** ① Connectez le périphérique Ethernet au port **IN** de l'injecteur PoE.
② Connectez le périphérique PoE au port **OUT** de l'injecteur PoE.
③ Utilisez le cordon d'alimentation fourni pour connecter la prise d'alimentation à une source d'alimentation (prise murale ou une prise multiple).

- IT** ① Collegare il dispositivo Ethernet alla porta **IN** dell'iniettore PoE.
② Collegare il dispositivo abilitato PoE alla porta **OUT** dell'iniettore PoE.
③ Utilizzare il cavo di alimentazione in dotazione per collegare la presa di alimentazione ad una sorgente di alimentazione (presa a muro o ciabatta elettrica).

- RU** ① Подключите устройство Ethernet к порту **IN** инжектора PoE.
② Подключите устройство с поддержкой PoE к порту **OUT** инжектора PoE.
③ Используйте прилагаемый в комплекте кабель питания для подключения разъема питания PoE-инжектора к электросети.

- UA** ① Підключіть пристрій Ethernet до порту **IN** інжектора PoE.
② Підключіть пристрій з підтримкою PoE до порту **OUT** інжектора PoE.
③ Скористайтесь в комплекті кабель живлення для підключення роз'єму живлення PoE-інжектора до електромережі.

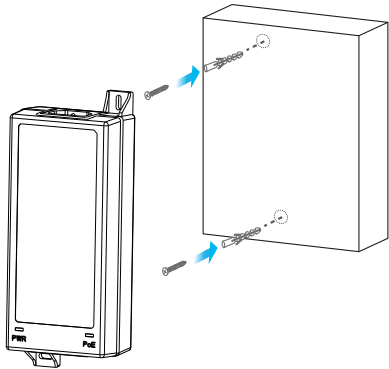
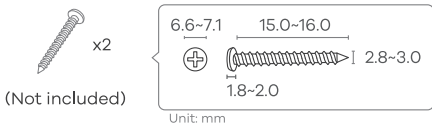
- 繁中** ① 使用乙太網路線PoE Injector的 **IN**埠連結至乙太網路裝置的LAN (例如乙太網路交換器)。
② **OUT**埠將電力和乙太網路傳送到PoE裝置。使用一對一乙太網路線將**OUT**埠連接到PoE裝置。
③ 使用隨附的電源線將電源插槽連接到電源 (牆面插座或插座組)。

Troubleshooting

The **PWR** LED is off and/or power is not being supplied to my PoE-enabled device.

- Check to see that the power cord is securely connected to the PoE Injector and an appropriate power source. Make sure the power source is on and functioning properly.
- Refer to the **Connecting the PoE Injector** section. Check that the Ethernet cables are connected properly and that you are using the correct type of Ethernet cable. Contact your local distributor if the problem persists.

Wall Mounting (Optional)



ZYXEL
Your Networking Ally



Warranty Card

Thank you for purchasing a Zyxel product. Zyxel has a reputation for delivering high quality, high performance products and services to our customers. We recommend that you now visit the Zyxel website and register your product online. This will mean you can receive the latest firmware, drivers and product related information. If you still have further questions or enquiries related to the product, please contact our subsidiaries worldwide. Please note that warranty terms may vary by region. Full detailed information is available on our website, here: http://www.zyxel.com/support/warranty_information.shtml

Purchase Information

Zyxel Product Name:

Hardware Serial Number:

Date of Purchase:

(In certain countries, the warranty will be validated with seller's signature and stamp):

Certifications

Federal Communications Commission (FCC) Interference Statement

The device complies with Part 15 of FCC rules. Operation is subject to the following two conditions:

- This device may not cause harmful interference.
- This device must accept any interference received, including interference that may cause undesired operations.

This device has been tested and found to comply with the limits for a Class B digital device pursuant to Part 15 of the FCC Rules. These limits are designed to provide reasonable protection against harmful interference in a residential installation. This device generates, uses, and can radiate radio frequency energy, and if not installed and used in accordance with the instructions, may cause harmful interference to radio communications. However, there is no guarantee that interference will not occur in a particular installation.

If this device does cause harmful interference to radio/television reception, which can be determined by turning the device off and on, the user is encouraged to try to correct the interference by one or more of the following measures:

1. Reorient or relocate the receiving antenna.
2. Increase the separation between the equipment and the receiver.

3. Connect the equipment into an outlet on a circuit different from that to which the receiver is connected.
4. Consult the dealer or an experienced radio/TV technician for help.

FCC Caution: Any changes or modifications not expressly approved by the party responsible for compliance could void the user's authority to operate this equipment.

CE Mark Warning:

This is a class B product. In a domestic environment this product may cause radio interference in which case the user may be required to take adequate measures.

Viewing Certifications

Go to <http://www.zyxel.com>.

Select your product on the Zyxel home page to go to that product's page.
Select the certification you wish to view from this page.

Safety Warnings

- Do NOT use this product near water, for example, in a wet basement or near a swimming pool.
- Do NOT expose your device to dampness, dust or corrosive liquids.
- Do NOT store things on the device.
- Do NOT install, use, or service this device during a thunderstorm. There is a remote risk of electric shock from lightning.
- Connect ONLY suitable accessories to the device.
- Do NOT open the device or unit. Opening or removing covers can expose you to dangerous high voltage points or other risks. ONLY qualified service personnel should service or disassemble this device. Please contact your vendor for further information.
- Place connecting cables carefully so that no one will step on them or stumble over them.
- Always disconnect all cables from this device before servicing or disassembling.
- Use ONLY an appropriate power adaptor or cord for your device. Connect it to the right supply voltage (for example, 110V AC in North America or 230V AC in Europe).
- Do NOT allow anything to rest on the power adaptor or cord and do NOT place the product where anyone can walk on the power adaptor or cord.
- Do NOT use the device if the power adaptor or cord is damaged as it might cause electrocution.
- If the power adaptor or cord is damaged, remove it from the device and the power source.

- Do NOT attempt to repair the power adaptor or cord. Contact your local vendor to order a new one.
- Do not use the device outside, and make sure all the connections are indoors. There is a remote risk of electric shock from lightning.
- Do NOT obstruct the device ventilation slots, as insufficient airflow may harm your device.
- Make sure that the cable system is grounded so as to provide some protection against voltage surges.
- Make sure to connect the cables to the correct ports.
- Your product is marked with this symbol, which is known as the WEEE mark. WEEE stands for Waste Electronics and Electrical Equipment. It means that used electrical and electronic products should not be mixed with general waste. Used electrical and electronic equipment should be treated separately.

