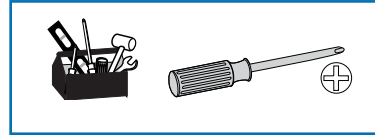
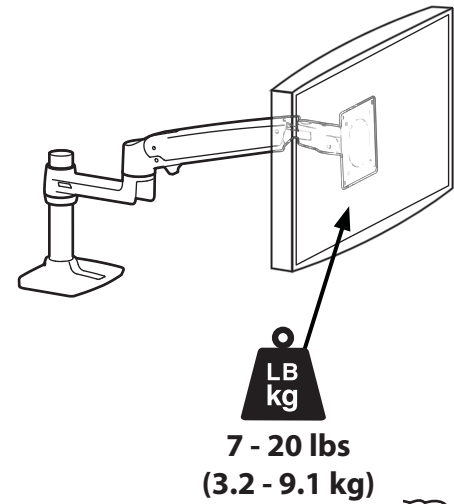


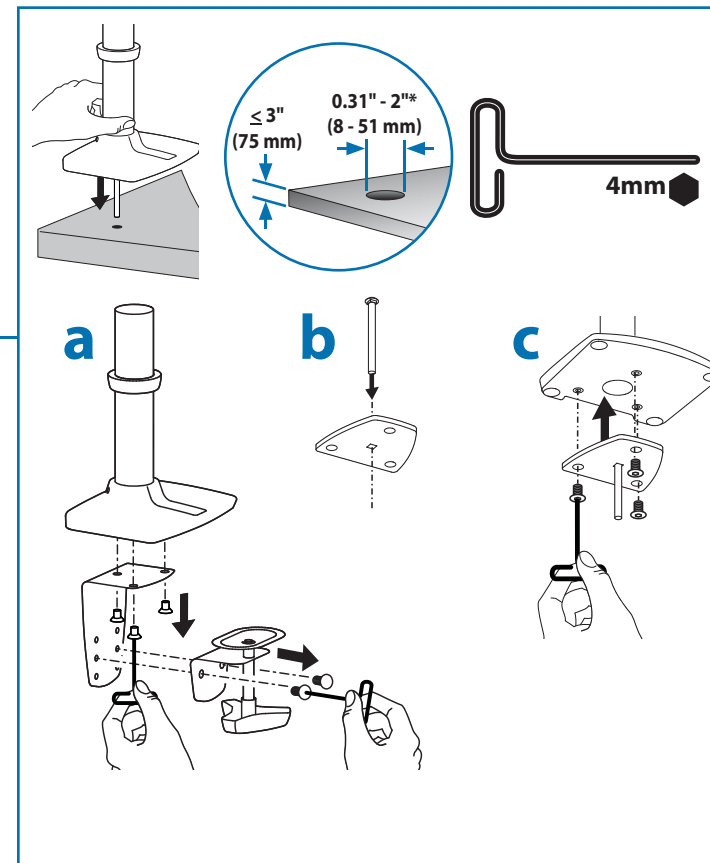
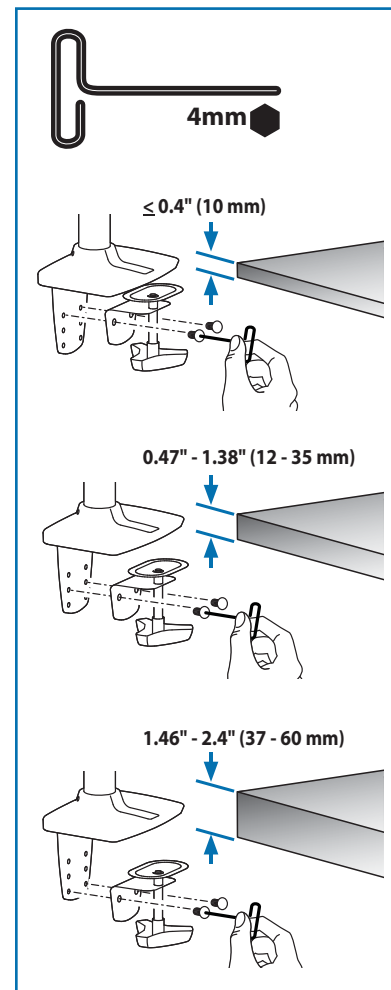
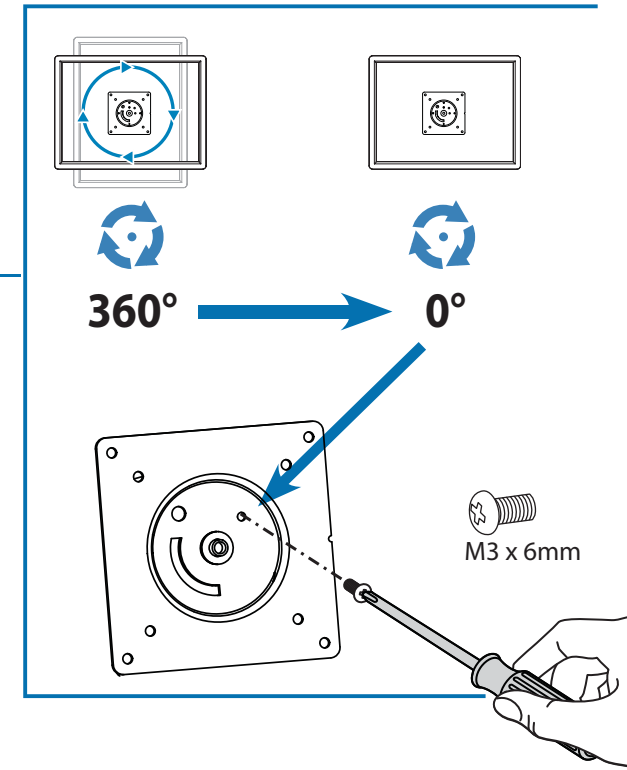
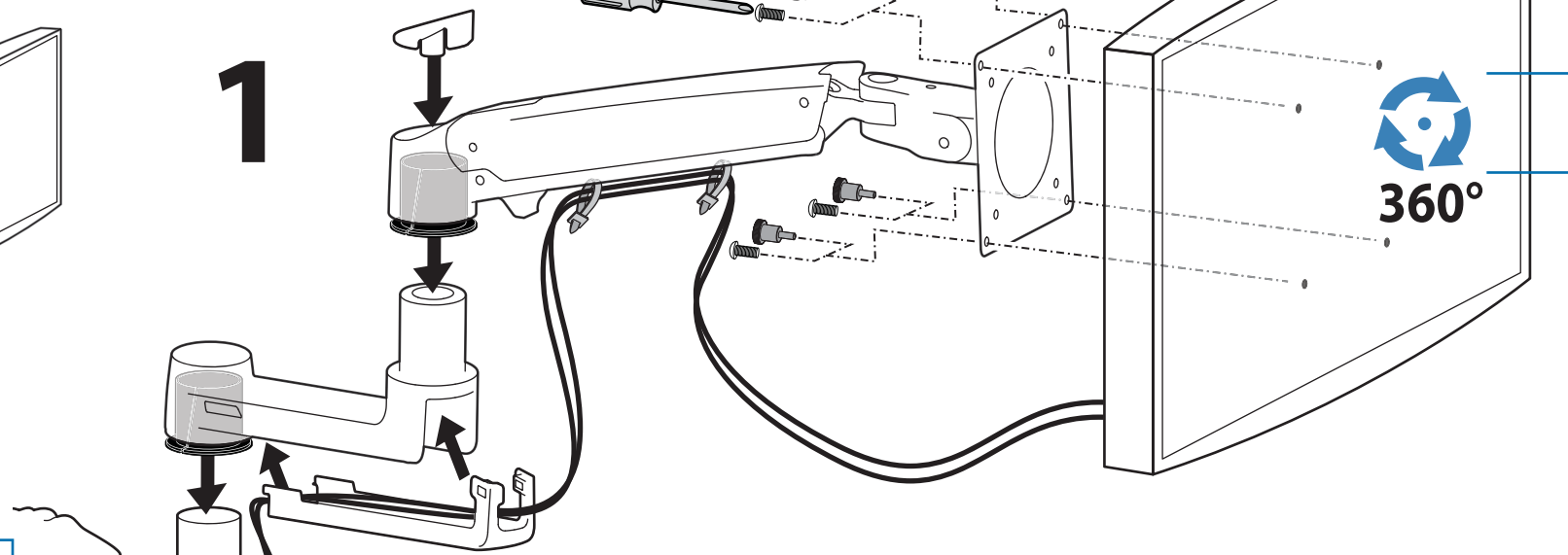
LX Desk Mount LCD Arm

www.ergotron.com
 USA 1-800-888-8458
 Europe +31 (0)33-45 45 600
 China 86-769-86018920



4x
M4 x 10mm

4x
M4 x 10mm



CAUTION: For secure arm attachment and to avoid equipment damage, plate must make contact with underside of desk on both sides of the hole.

Precaución: Para fijar el brazo de forma segura y evitar que el equipo resulte dañado, la placa debe hacer contacto con la cara inferior de la mesa a ambos lados del orificio.

Attention: Pour une fixation au bras sûre et pour éviter que le matériel soit endommagé, la plaque doit être en contact avec le dessous du bureau des deux côtés du trou.

Vorsicht: Um eine sichere Armbefestigung zu gewährleisten und eine Beschädigung des Geräts zu vermeiden, muss die Platte Kontakt mit der Unterseite des Schreibtischs und beiden Seiten des Lochs haben.

Let op: Om de arm stevig te bevestigen en om schade aan de apparatuur te voorkomen, moet de plaat contact maken met de onderkant van het bureau aan beide kanten van de opening.

Attenzione: per fissare bene il braccio e prevenire danni all'attrezzatura, la piastra deve essere a contatto con il lato inferiore del tavolo da entrambi i lati del foro.

注意: アームをしっかり接続し、機器の損傷を防ぐために、プレートは穴の両側で机の下部と接触するようにしてください。

小心: 为了确保支臂安装牢固并避免损坏设备, 安装板在孔的两侧均须与桌面的下侧接触。

*Bolt must be centered in hole.

For more information on this product or installation visit:
www.ergotron.com

© 2011 Ergotron, Inc.
 All rights reserved.



For service and warranty visit www.ergotron.com
 Si desea información de servicio y garantía, visite www.ergotron.com
 Pour toute question concernant la garantie ou le service client, consultez www.ergotron.com
 Weitere Informationen zu Service und Gewährleistung erhalten Sie unter www.ergotron.com.
 Ga voor service en garantie naar www.ergotron.com
 Per assistenza e la garanzia visitate www.ergotron.com
 Gå in på www.ergotron.com för service och garanti
 サービスおよび保証について詳しくは、www.ergotron.com をご覧ください。
 有关服务和保修, 请访问 www.ergotron.com

Americas Sales and Corporate Headquarters
 St. Paul, MN USA
 (800) 888-8458
 +1-651-681-7600
www.ergotron.com
sales@ergotron.com

EMEA Sales
 Amersfoort, The Netherlands
 +31 33 45 45 600
www.ergotron.com
info.eu@ergotron.com

APAC Sales
 Tokyo, Japan
www.ergotron.com
apaccustomerservice@ergotron.com

Worldwide OEM Sales
www.ergotron.com
info.oem@ergotron.com

While Ergotron, Inc. makes every effort to provide accurate and complete information on the installation and use of its products, it will not be held liable for any editorial errors or omissions (including those made in the process of translation from English to another language), or for incidental, special or consequential damages of any nature resulting from furnishing this instruction and performance of equipment in connection with this instruction. Ergotron, Inc. reserves the right to make changes in the product design and/or product documentation without notification to its users. For the most current product information, or to know if this document is available in languages other than those herein, please contact Ergotron. No part of this publication may be reproduced, stored in a retrieval system, or transmitted in any form or by any means, electronic, mechanical, photocopying, recording or otherwise without the prior written consent of Ergotron, Inc., 1181 Trapp Road, Eagan, Minnesota, 55121, USA. Patents Pending and Patented U.S. & Foreign. Ergotron is a registered trademark of Ergotron, Inc.

