

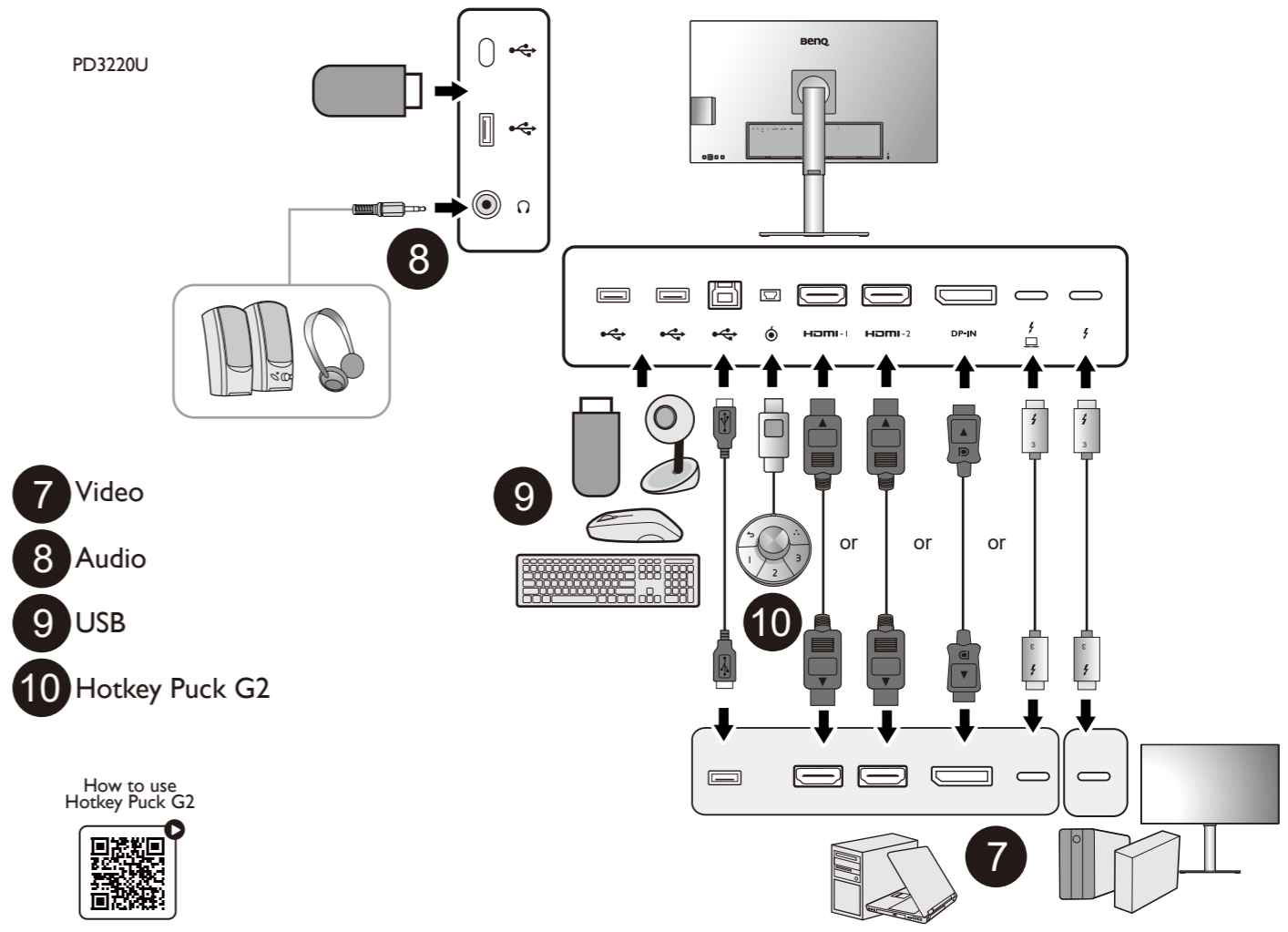
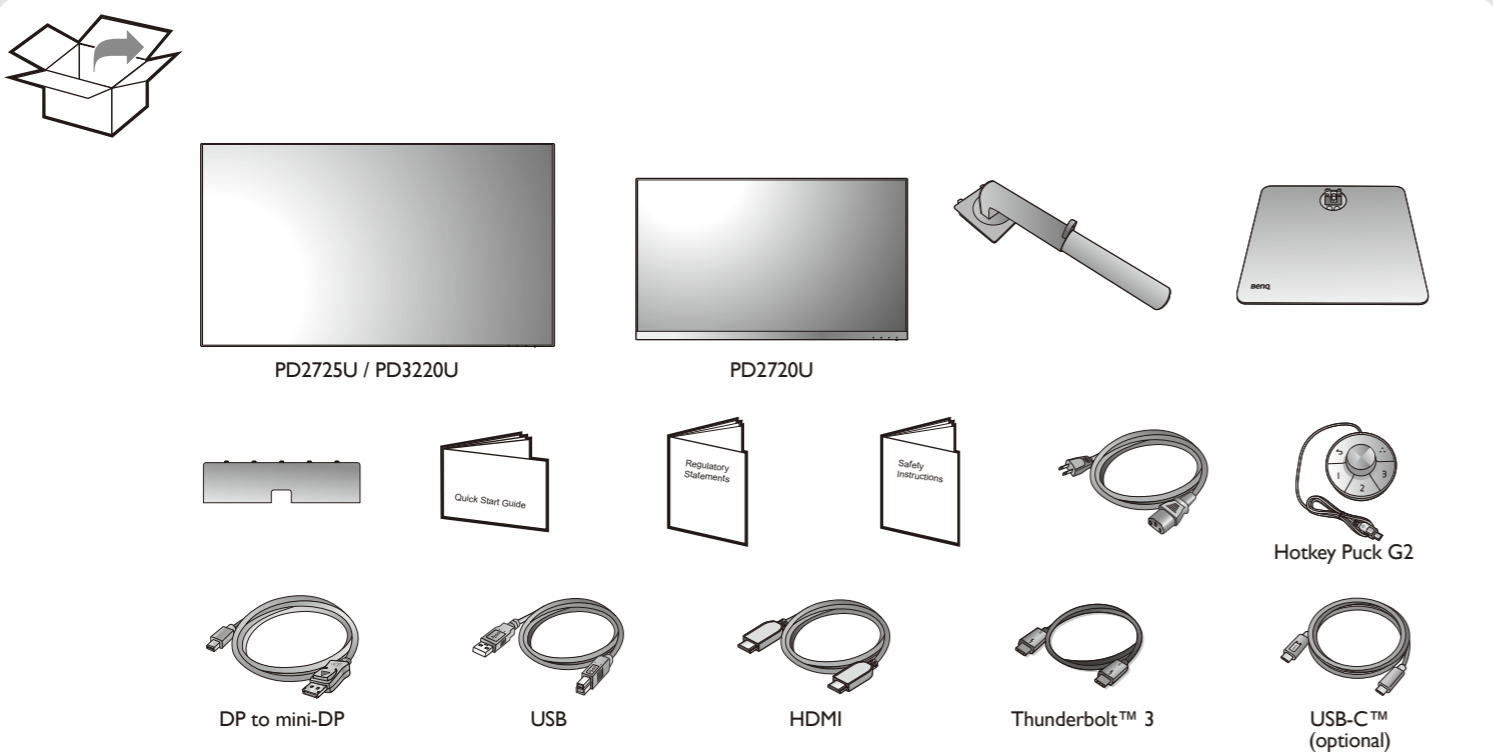
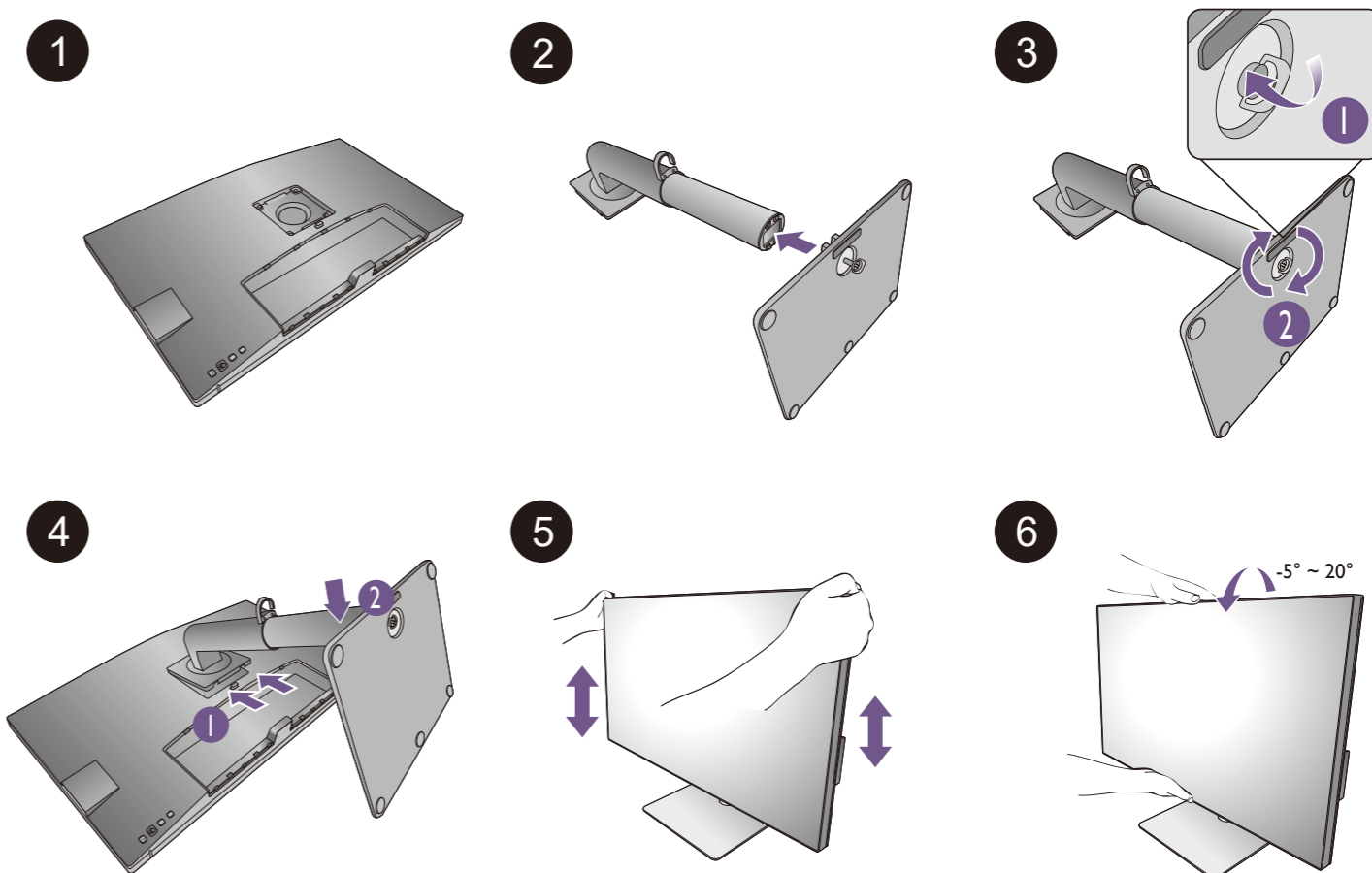
LCD Monitor Quick Start Guide

DesignVue Designer Monitor | PD Series

AQCOLOR
Colors You Can Trust

DN:PD20U-EQ-V1

© 2020 BenQ Corporation. All rights reserved. Rights of modification reserved.



0-40°C 10-90% 0-3000m

-20-60°C 10-60% 0-12000m

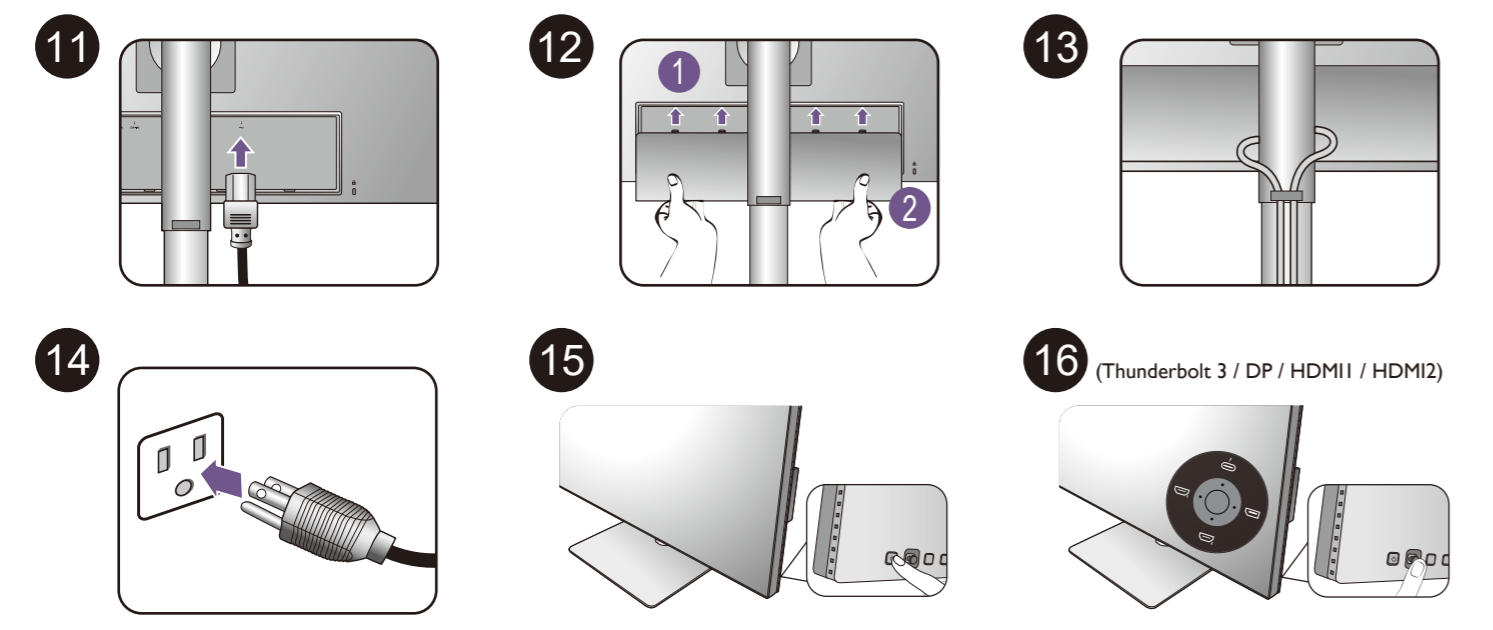
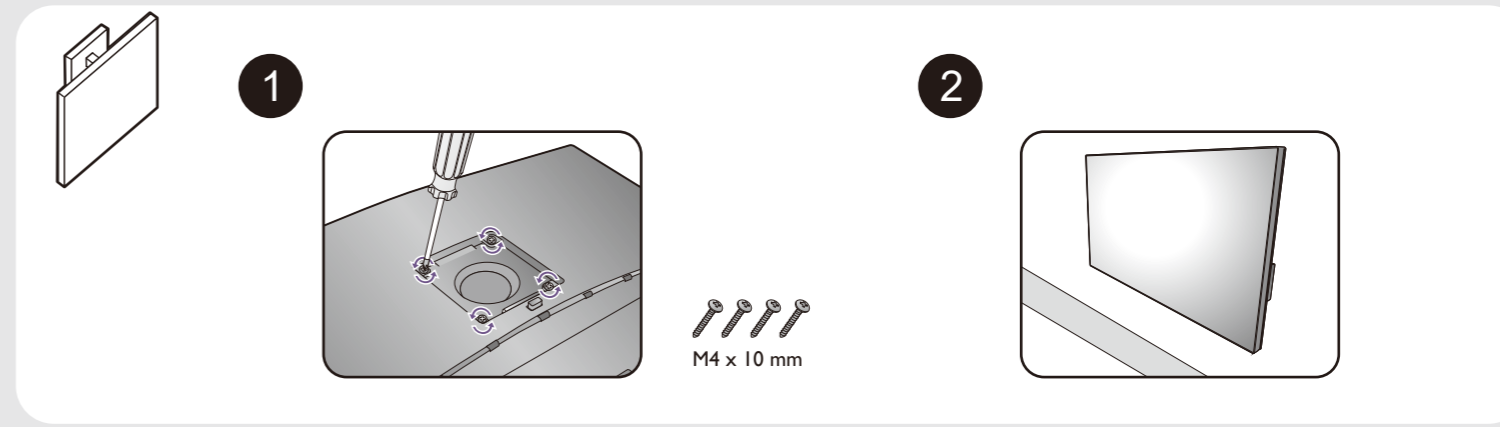
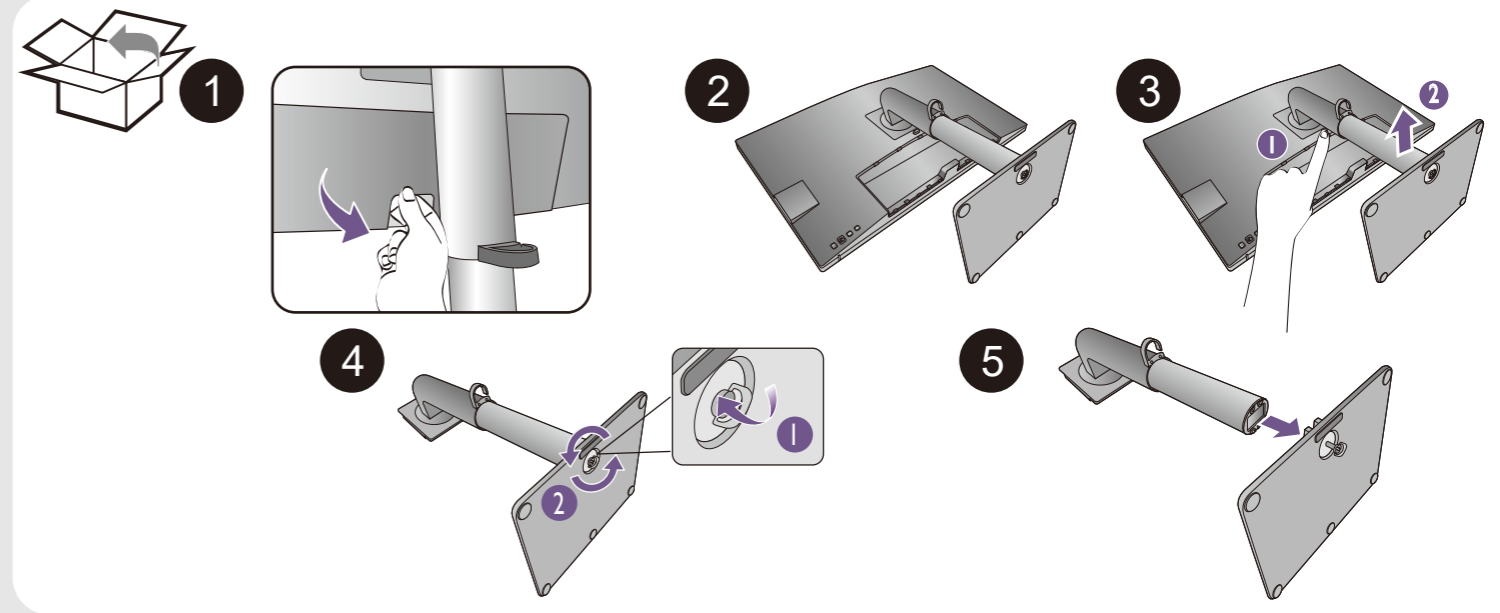
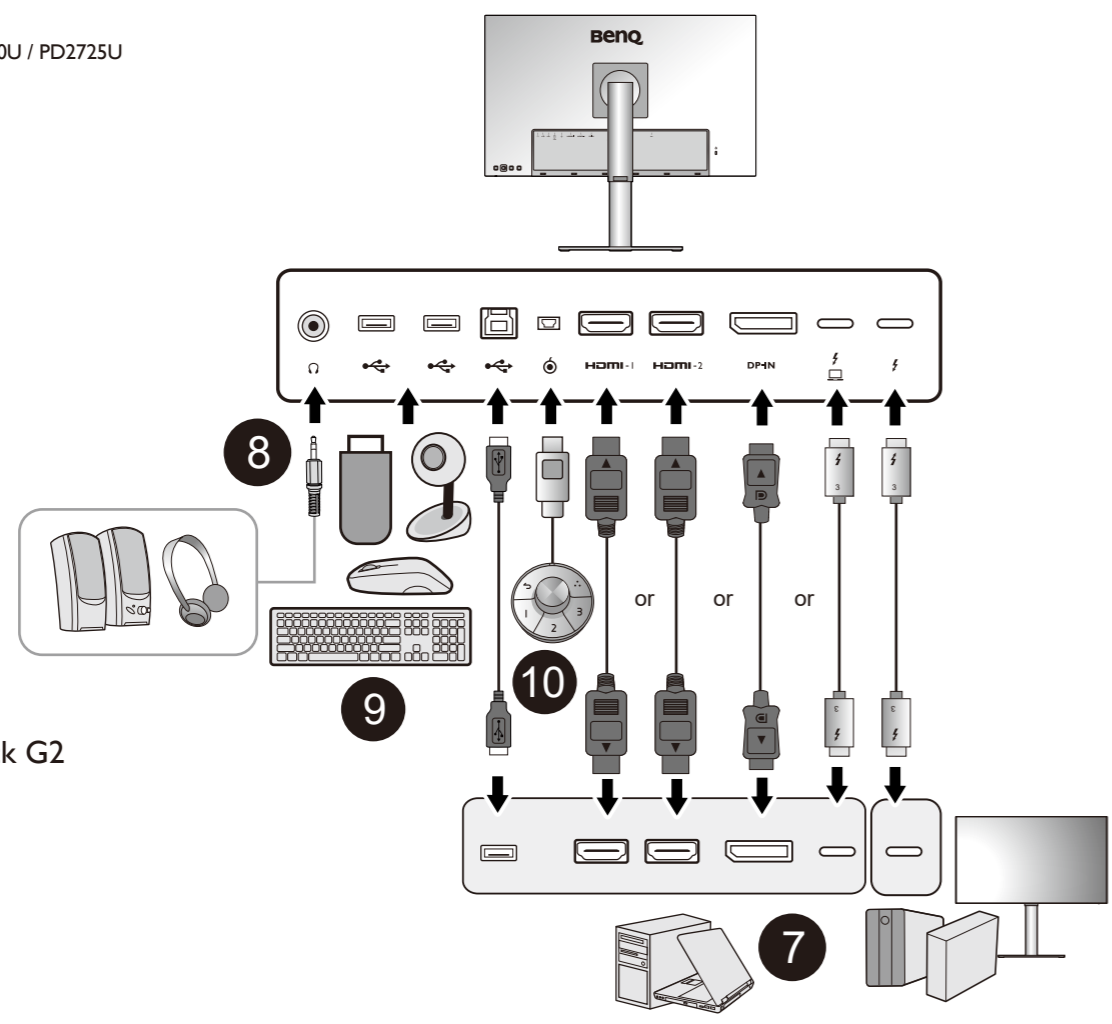
ecoFACTS
csr.BenQ.com

HDMI
HIGH-DEFINITION MULTIMEDIA INTERFACE
(For models with HDMI inputs)

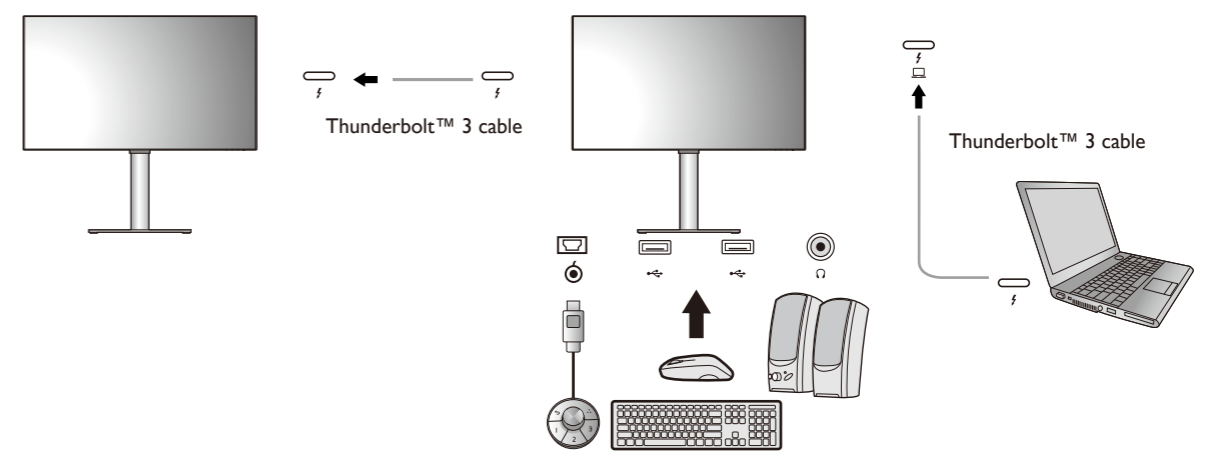
P/N: 4J.XXXXX.XXX



- 7 Video
- 8 Audio
- 9 USB
- 10 Hotkey Puck G2



Connecting multiple monitors (Thunderbolt™ 3 daisy chaining)



Software installation
 Display Pilot: for display arrangement & color matching (ICC Sync)

Support.BenQ.com

How to use Display Pilot

How to use ICC Sync

Support.BenQ.com

Online Manual

Product Support

Software Download

For professional color display

CAD / CAM Mode

Animation Mode

For work efficiency

DualView

KVM Switch