



---

INSTRUCTION BOOK FOR  
DescenderPro

---

# Original Instructions

## Disclaimer

Milestone and its affiliated corporations and subsidiaries (collectively "Milestone"), intend to make this manual accurate and complete. However, Milestone makes no claim that the information contained herein covers all details, conditions or variations, nor does it provide for every possible contingency in connection with the installation or use of this subject to change without notice or obligation of any kind. Milestone makes no representation of warranty, expressed or implied, regarding the information contained herein. Milestone assumes no responsibility for accuracy, completeness or sufficiency of the information contained in this document.

Projecta® is a registered trademark of Milestone AV Technologies. All rights reserved.

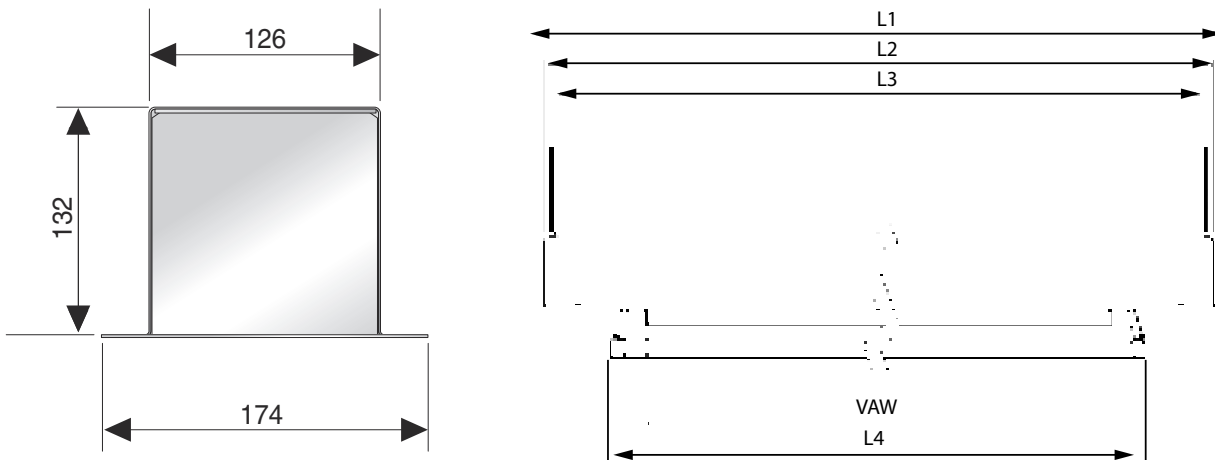
## Important Safety Instructions

When using your video equipment, basic safety precautions should always be followed, including the following:


1. Read and understand all instructions before using.
2. Maximum surrounding air temperature 50°C.
3. Main disconnect must be incorporated in the fixed wiring in accordance with the wiring rules.
4. Rated for indoor use only.
5. Use copper rated conductors rated 75°C or higher.
6. If the supply cord is damaged, it must be replaced by the manufacturer, its service agent or similarly qualified persons in order to avoid hazard.
7. Position the cord so that it will not be tripped over, pulled, or contact hot surfaces.
8. If an extension cord is necessary, a cord with a current rating at least equal to that of the appliance should be used. Cords rated for less amperage than the appliance may overheat.
9. To reduce the risk of electric shock, do not disassemble this appliance. Contact an authorized service dealer when repair work is required. Incorrect reassembly can cause electric shock when the appliance is used subsequently.
10. The use of an accessory attachment not recommended by the manufacturer may cause a risk of fire, electric shock, or injury to persons.
11. Failure to provide adequate structural strength for this component can result in serious personal injury or damage to equipment! It is the installer's responsibility to make sure the structure to which this component is attached can support the weight of all equipment. Reinforce the structure as required before installing the component.
12. Use this projection screen only for its intended use as described in these instructions. Do not use attachments not recommended by the manufacturer.
13. Make sure you always operate the DescenderPro with the bottom panel in place. Do not operate the screen without the bottom panel installed.

### Save These Instructions

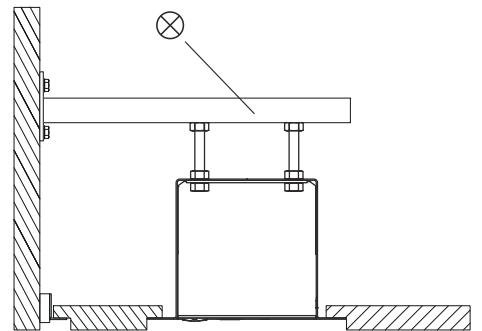
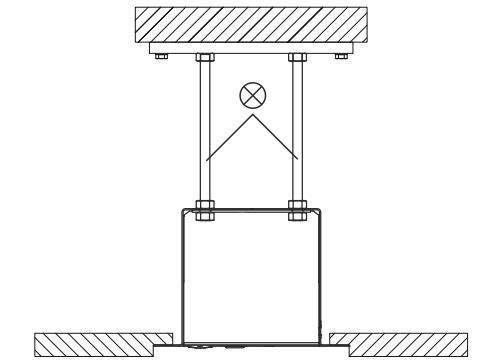
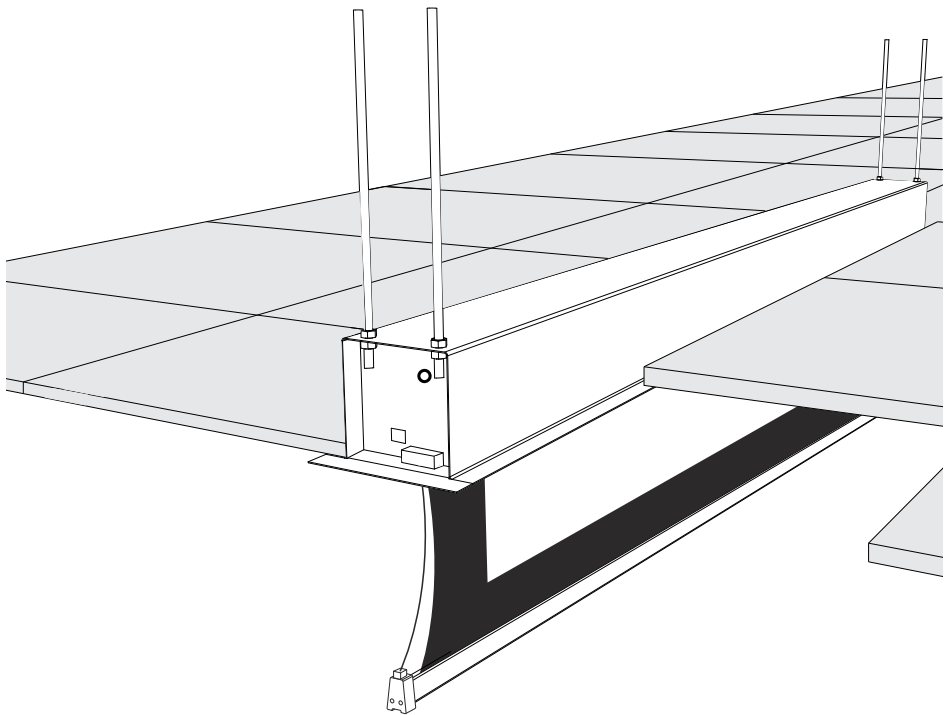
## Technical drawing



# Case dimensions

		Tensioned DescenderPro					DescenderPro			
		Viewing Area	Dimensions (mm)				Dimensions (mm)			
		cm	L1	L2	L3	L4	L1	L2	L3	L4
<b>16:10</b>	200	119 x 190	2378	2348	2329	2127	2178	2148	2129	2040
	220	131 x 210	2578	2548	2529	2341	2378	2348	2329	2240
	240	144 x 230	2778	2748	2729	2525	2578	2548	2529	2440
	260	156 x 250	2978	2948	2929	2771	2778	2748	2729	2640
	280	169 x 270	3178	3148	3129	2933	2978	2948	2929	2840
	300	181 x 290	3378	3348	3329	3145	3178	3148	3129	3040
	320	194 x 310	3603	3573	3554	3355	3378	3348	3329	3240
	340	206 x 330	3823	3793	3774	3567	3578	3548	3529	3440
	360	219 x 350	3978	3948	3929	3779	3778	3748	3729	3640
	380	231 x 370	4178	4148	4129	3991	3978	3948	3929	3840
400	244 x 390	4378	4348	4329	4105	4178	4148	4129	4040	
<b>16:9</b>	200	107 x 190	2378	2348	2329	2113	2178	2148	2129	2040
	220	118 x 210	2578	2548	2529	2325	2378	2348	2329	2240
	240	129 x 230	2778	2748	2729	2539	2578	2548	2529	2440
	260	141 x 250	2978	2948	2929	2751	2778	2748	2729	2640
	280	152 x 270	3178	3148	3129	2967	2978	2948	2929	2840
	300	163 x 290	3378	3348	3329	3181	3178	3148	3129	3040
	320	174 x 310	3603	3573	3554	3397	3378	3348	3329	3240
	340	186 x 330	3823	3793	3774	3615	3578	3548	3529	3440
	360	197 x 350	3978	3948	3929	3757	3778	3748	3729	3640
	380	208 x 370	4178	4148	4129	3969	3978	3948	3929	3840
400	219 x 390	4378	4348	4329	4089	4178	4148	4129	4040	

# Suggested Method of Installation



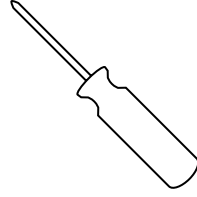
⊗ = Not included

## Tools Required for Installation

---



1/2" Open Wrench  
or Socket Driver



#2 Phillips Screwdriver

## Pre-Installation

---

1. Carefully unpack case from shipping carton.
2. Set aside the Installation Kit. Items inside will be used during installation.
3. Make sure to recheck measurement of case for proper installation clearance.
4. Remove any protective foam covering the outside of the case.
5. Remove the transport safety-brackets that connect the slatbar to the case.

## Prepare your ceiling

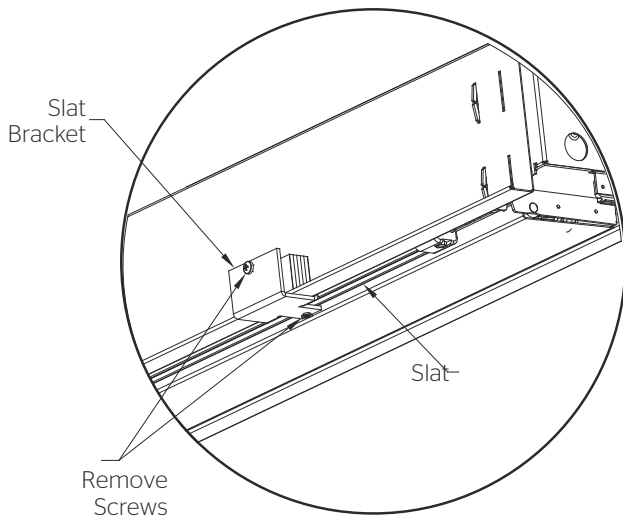
---

1. Determine the required opening in the ceiling by measuring the case.
2. Verify your measurements with the the case dimensions that can be found in the chart on page 3.  
Use the L2 dimension and the widht of the case, which is 126 mm
3. Make sure you add 8 mm all around the case dimensions and make the cut-out in the ceiling to enable placement.

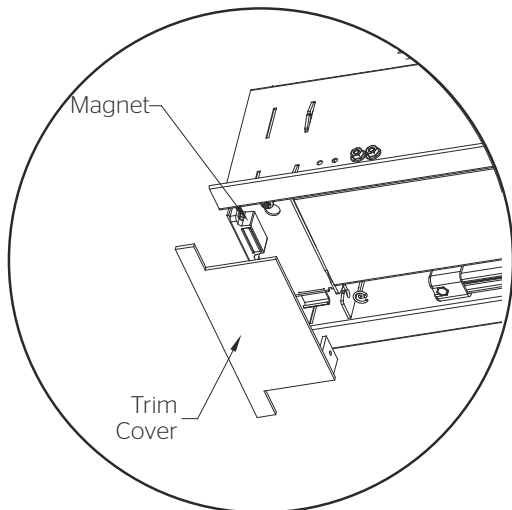
## Case Installation

1. Hang case and attach to support structure with threaded rods and nuts. See Suggested Methods of Installation.
2. Tighten nuts until trim flange is flush with ceiling.  
**NOTE:** For proper operation, case must be levelled side to side and front to back.
3. If screen surface is tab-tensioned, use a #2 Phillips screwdriver to remove white transport safety brackets attached to slat and screen (Figure 1).
4. Connect the power cable to the Easy Install connector on the left side of the case. (See wiring diagram.)

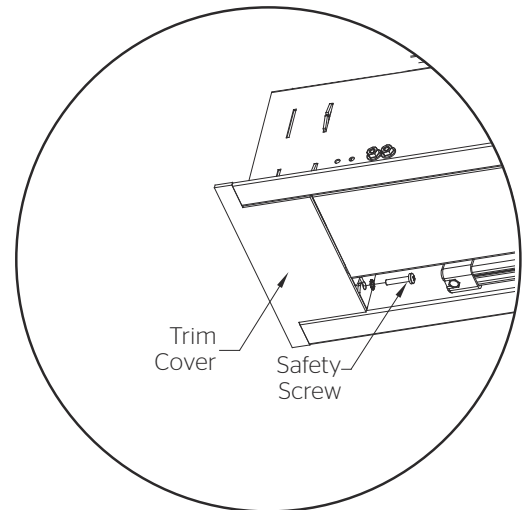
5. Test installation by running screen up and down a few times. Be prepared to stop screen should any objects obstruct the movement of the screen. To prevent damage to the motor, the standard duty cycle is 1 minute on and 3 minutes off.
6. Install finishing trim covers on both ends of the case. Line up trim cover flush with case. Magnet will hold cover in place and secure with safety screw #2 Phillips screwdriver through motor and pin end bracket (Figures 2 and 3).



**Figure 1**  
**(Tab-Tensioned Screens Only)**



**Figure 2**



**Figure 3**

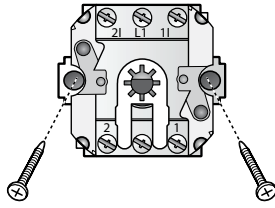
## Connecting electrical projection screens



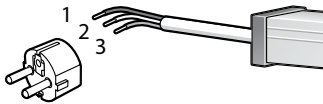
### Important!



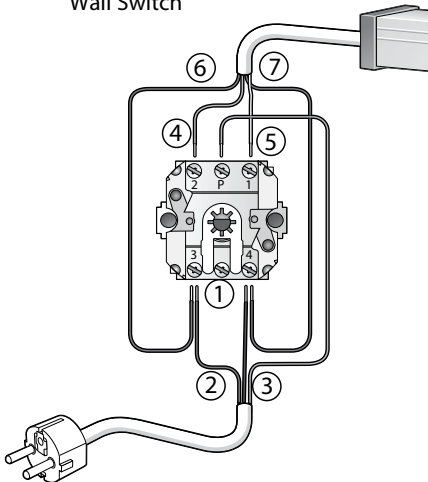
- The connection of the wiring may only be performed by a qualified electrician.
- Make sure that the circuits which will be worked on are completely voltage-free before the electrical connections are made.
- Carefully read section 2 'Safety information' first.



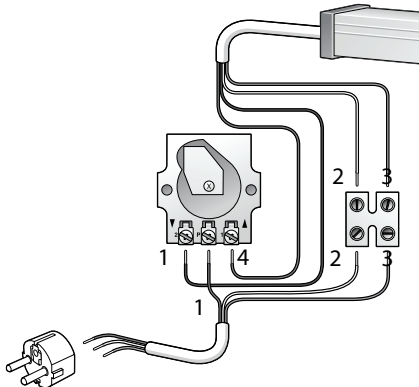
RF Control



Wall Switch



Key Switch



### Mounting wall switch

- 1 First determine the position of the wall switch. Install out of the reach of children and at a minimum height of 1.5 meters from the floor.
- 2 Loosen the rotary knob.
- 3 Unscrew the nuts under the rotary knob and remove the mechanism from the case.
- 4 Mount the mechanism to the wall with two screws.
- 5 Connect the wiring as described in § 4.5 / § 4.6.
- 6 Place the case and tighten the nuts.
- 7 Place the rotary knob.



Important! Only one projection screen can be connected to one wall switch.

### Wiring (general)

Wiring	Wall Switch	RF Control
① Yellow / Green	4 - Earth	⏏ - Earth
② Blue	3 - Neutral	N - Neutral
③ Brown	P - Live - voltage	L - Live - voltage
④ Brown	2 - Down	
⑤ Black	1 - Up	
⑥ Blue	3 - Neutral	
⑦ Yellow / Green	4 - Earth	

A plug may be connected to the feed wire when using the wall switch. The feed wires may also be connected directly to the electric mains.

### Electrical projection screens without built-in RF remote control

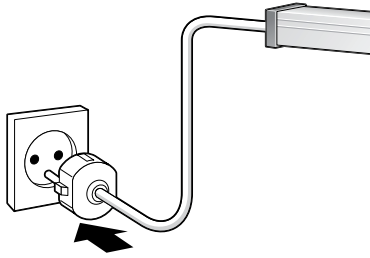
- 1 Connect the various wires as shown in the diagram.
- 2 Replace the case on the wall switch.
- 3 Plug the plug into the socket or apply voltage to the circuit concerned again. In the event of incorrect rotation direction: ensure that the circuit involved is voltage-free and switch the brown and black motor wires.

### Connect key switch

Projection screens wider than 5 meters must always be protected from unauthorised use. This may be done by using a key operated switch. Connect the various wires as shown in the diagram.



Important! Only one projection screens can be connected on to one key switch.



## Electrical projection screens with built-in RF receiver

- Connect a plug (not included) and plug it into the socket.

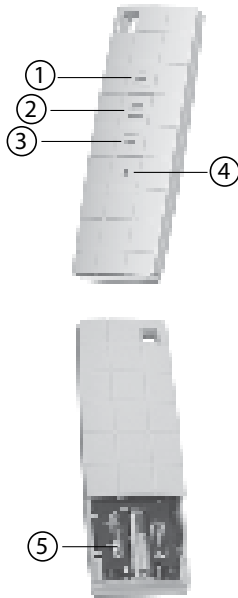


Warning! Projection screens with a built-in remote control must be connected to the electric mains using a plug. The plug must be easily accessible to ensure that the projection screens can be made voltage-free if necessary.



Warning! If the projection screens has a fixed connection to the electric mains a switch must be fitted to ensure that the projection screen can be made voltage-free. This switch must be suitable for use in combination with the electric mains. The contact opening between the switch points must be at least 3 mm.

## Built-in RF receiver and remote control



### Insert the battery

- 1 Up button  
Allows the projection screen to retract.
- 2 Stop button  
Stops unrolling/retracting.
- 3 Down button  
Allows the projection screen to unroll.
- 4 LED  
Illuminates to confirm a command.
- 5 Program button  
- Deletes program from remote control.  
- Programs new (additional) remote control.

When the program button is used, the motor will confirm with a 'beep'. A series of beeps will confirm when a new setting is accepted.

### Programming an additional (second) remote control or wall transmitter

You can program an additional RF remote control or wall transmitter for operating the projection screen.

- 1 Press the program button twice (2x) on the original remote control.
- 2 Press the program button once (1x) on the extra remote control.

### Deleting the program of a remote control

- 1 Press the program button once (1x).
- 2 Press the stop button once (1x).
- 3 Press the program button once (1x).

The program is now deleted.

### Programming a new remote control after losing the original remote control.

- 1 Power off the motor.
- 2 Power on the motor.
- 3 Press the program button twice (2x).
- 4 Press the down button once (1x).

## General instructions

- The projection screen is equipped with an electric tubular motor. This simplifies the use of the projection screen.
- The motor has been specially developed for this projection screen and ensures that the projection screen unrolls and retracts with at a constant speed. The final positions may be set on the motor. This has already been done at the factory. Only change these settings slightly when absolutely necessary. Changes in settings can result in a less flat projection surface.
- As a result of this special construction, the motor has a limited continuous duration of operation. For most motors, this duration is approximately 4 minutes. This is long enough to allow the projection screen to unroll and retract several times. However, if the projection screen is used continuously for too long, the motor will become hot and the thermal overload cut-out will automatically turn off the motor. Once the motor has cooled off sufficiently, it will turn back on automatically. This can take 15 to 30 minutes.
- Make sure that the projection screen is within your field of vision during operation so that you can check to make sure that there are no persons or obstacles under the projection screen.
- Make sure that children are not able to play with the equipment involved in the operation of the projection screen (wall switch, remote control).
- Under normal use (once or twice daily) conditions, the life of the motor is at least 10 years. The motor does not require maintenance.



## Using the wall switch

- Every electrically operated projection screen comes standardly equipped with a rotary switch for mounting on the wall. After operation, the switch rotates back to the zero position. This is an additional safety feature to make sure the motor is always voltage-free when not in use.
- Turn the switch to the right to unroll the projection screen and keep the switch in this position until the projection screen is fully unrolled. Turn the switch to the left to retract the projection screen.

## RF remote control for projection screens with built-in RF receiver

- The RF electric projection screens come standardly equipped with an RF (Radio Frequency) remote control.
- The RF remote control works through walls and does not have to be aimed at a specific object as is the case with an infrared system.
- Two projection screens with RF remote control should not be mounted within 30 cm of each other.



Symptom	Solution
<p>The projection screen does not unroll or retract (anymore).</p>	Check for main voltage.
	Check to make sure if the plug is plugged into the socket.
	Check to see if the batteries are installed properly in the remote control.
	The thermal overload cut-out of the motor has been activated and has turned off the motor. Wait 15 to 30 minutes and then try to unroll or retract the projection screen again.
	Make sure the projection screen is voltage-free and check the connections as described in section 'Connecting DescenderPro'. Check to see if any wires are loose.
<p>The projection screen/the motor made a strange noise the first time I used it.</p>	It is possible that an object (for example, part of the packaging) fell into the case prior to mounting. Check to see if this is the case and whether this object is what is causing the noise.
	If the motor has been damaged during transport, please contact the supplier.
<p>The projection screen motor is turning in the wrong direction (reverse direction) for projection screens without builtin RF remote control.</p>	Consult the connection diagrams in 'Connecting DescenderPro' and switch the brown and black motor wires.
<p>The projection screen motor is turning in the wrong direction (reverse direction) for projection screens with built-in RF remote control.</p>	Power off the motor.
	Power on the motor.
	Press the program button twice (2x).
	Press the down button once (1x).

## LIMITED FIVE YEAR WARRANTY ON PROJECTA DESCENDERPRO PRODUCTS

Goods sold hereunder are covered by a warranty against defects in material and workmanship provided the goods and services are subject to normal use. The applicable limited warranty is two (2) years from the date the product was invoiced by Milestone. The DescenderPro range, Elpro Concept range and all electrical motors are covered by five (5) years limited warranty. All warranties are in effect for the original customer only.

Milestone disclaims liability for any unauthorized modification made to the product such as, but not limited to, incorrect voltage connection, inappropriate limit switch adjustment leading to screen damage, normal wear and tear, discoloration of the projection screen surface resulting from use in rooms with considerable atmospheric pollution (eg. dust, smoke, humidity and/or corrosive environment). All products are intended for indoor use only and failure to comply will void warranty.

Milestone will, at its sole option, repair or replace defective products to the original customer under normal use within the warranty period. Any costs associated with the replacement of the product, outside the product itself are not covered under this warranty. The customer is responsible for returning the product to Milestone via prepaid shipping.

Milestone will not be responsible for damage to its products caused by misuse, failure to properly package the product for return or for damage caused by the carriers during shipment to or from Milestone.

Keep your sales receipt to prove the date of purchase and your original ownership.

# PROJECTA<sup>®</sup>

A BRAND OF LEGRAND | [www.milestone.com](http://www.milestone.com)

P 31.495.580.840

E [emea.sales@milestone.com](mailto:emea.sales@milestone.com)

In British Columbia, Milestone AV Technologies ULC carries on business as MAVT Milestone AV Technologies ULC.

©2018 Milestone AV Technologies.

Projecta is a registered trademarks of Milestone AV Technologies. All other brand names or marks are used for identification purposes and are trademarks of their respective owners. All patents are protected under existing designations. Other patents pending.

Projecta makes reservation for printing errors, as well as product changes. All data is subject to chance without notice.