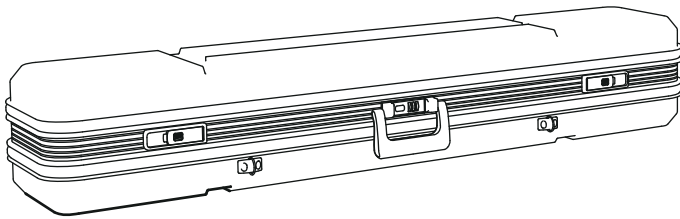




DECT IP Multi-Cell Deployment ToolKit Quick Start Guide



Contents

1. Overview
2. Package Contents
3. Adjusting the Stand Height
4. Setting up the Measuring Base Station
5. Setting up the Measuring Handset
6. Using the Measuring Handset
7. Configuring the Metering Mode
8. Taking Measurements

Overview

The Yealink DECT IP multi-cell deployment toolkit helps you plan and install your DECT IP multi-cell system. It contains one measuring base station, two measuring handsets and further helpful accessories for exact determination of the DECT environmental conditions for the planned network.

You can use the measuring devices in the kit to determine the radio coverage at your location, establish the total number of base stations required for a given installation and their optimal locations, and find sources of interferences in the wireless network.

If you require more information on configuring and using your phone, refer to Yealink DECT IP Multi-Cell System Deployment Guide online:

<http://support.yealink.com/documentFront/forwardToDocumentFrontDisplayPage>.

Package Contents



DTK
(Measuring Base Station)



W56H Handset x 2
(Measuring Handsets)



Battery Cover x 2



Rechargeable Battery x 4
(Two are Reserves)



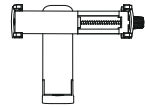
USB Charging Cradle x 2



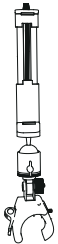
Power Adapter x 2



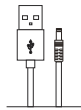
Stand



Base Station Clip



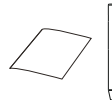
Mobile Power Clip



USB-DC Cable



UH33 Headset x 2



Notebook and Pen



Quick Start Guide

Note: We recommend that you use the accessories provided or approved by Yealink. The use of unapproved third-party accessories may result in reduced performance.

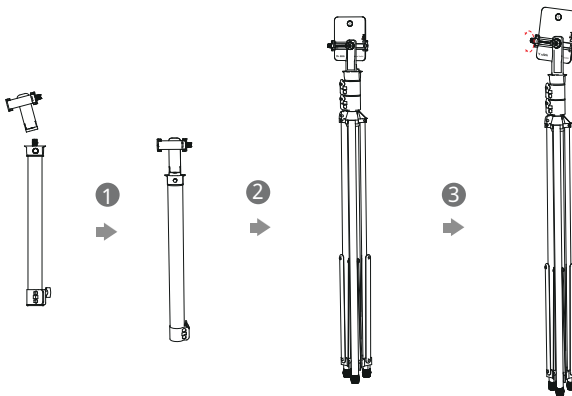
Adjusting the Stand Height



Note: The stand height can be adjusted from 3.28 feet (1.00 meter) to 9.19 feet (2.80 meters).


Setting up the Measuring Base Station

1. Mount the measuring base station on the stand



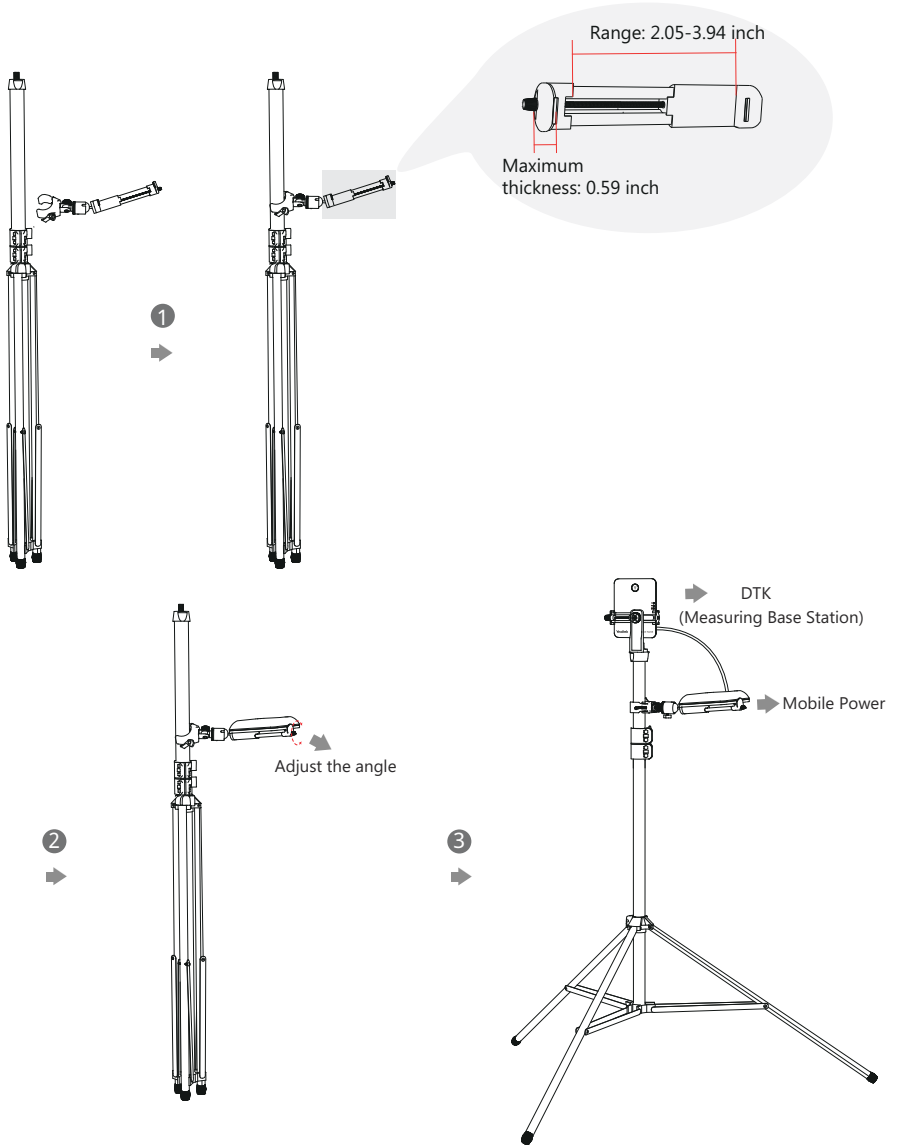
① Position the thread of the base station clip on the stand and screw the base station clip into place.

② Fix the base station on the base station clip.

Note: In order to better transmit and receive radio signal, we recommend that you place the base station vertically with one end of the  button facing up. To make the base station more secure, make sure the front side of the base station faces to the buckle.

③ Adjust the angle of the base station to an appropriate position.

2. Charge the base station

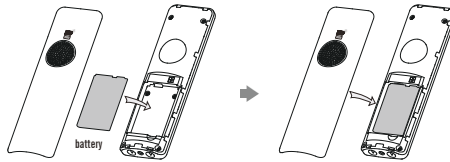


- 1 Fix the mobile power clip on the top section of the stand.
- 2 Fix the mobile power on the mobile power clip.
Note: You need to purchase the mobile power separately.
- 3 Adjust the angle of the mobile power and charge the base station. The power LED (the lowest one) of the base station glows green.

Note: The network status LED (the middle one) flashes as no network is needed at this point. If the registered handset is powered on, the registration LED (the top one) glows green.

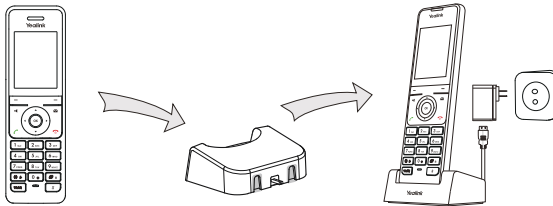
Starting up the Measuring Handset

1. Insert the battery into the handset.



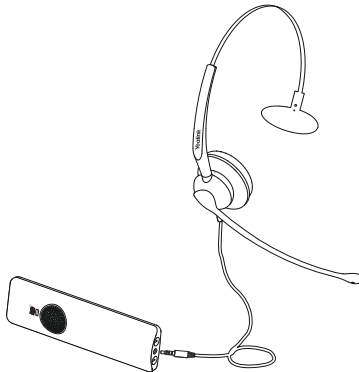
Note: The handset will be powered on automatically when the battery is inserted to the handset.

2. Connect the charging cradle and charge the handset.



Note: Use Yealink supplied power adapter (5V/600mA). A third-party power adapter may damage the handset.
Determine whether to charge the handset according to the battery status on the top-right corner of the LCD screen.
The power LED glows red when the handset is charging.

3. Connect a headset to the handset.



Note: A headset icon on the handset LCD screen indicates the connection is successful.

Using the Measuring Handset

The idle screen

The LCD screen shows the following information in the idle screen:



- Indicates the signal strength between the base station and registered handset.

Weak to strong:

No reception:

- Indicates the current battery status.

Low to full:

Need charging:

- Values for determining the connection quality:

RSSI: Base station signal reception strength with the best reception in dBm.

Recommended value: -28 to -70 dBm.

Note: The RSSI value is displayed in dBm as standard, you can change it into a percentage value.

Fr. quality: Frame quality. Percentage rate of the packages received without error in the last measuring interval.
Recommended value: 100%.

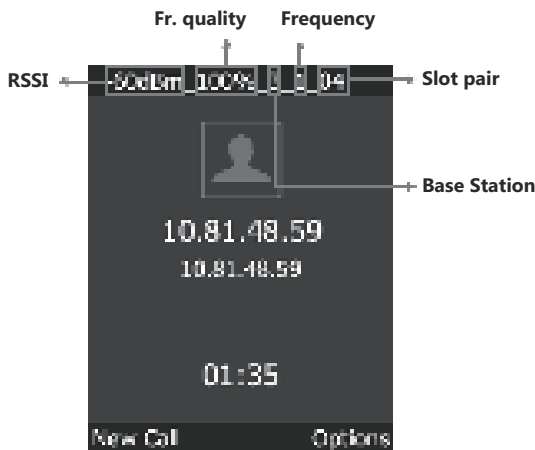
Base Station: RPN (Radio Fixed Part Number) of the base station. Identifier for the base station to which the handset is connected.

Frequency: Carrier frequency of the signal received.
Value range: 0-30.

Slot pair: Time slot for the reception channel on which the measurement was performed.
Duplex Slot pair used (0-11).

The talking screen

If the handset is in the talking screen, it shows the measurement data at the top edge.



Note: If one handset is used, you can enter **#*9** on the handset to perform an analog call.

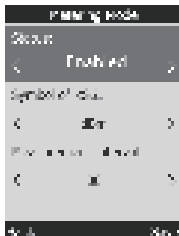
Configuring Metering Mode

The measuring handsets are already in the metering mode out of the box.

Note: The handset backlight is always on in the metering mode, so the screensaver does not work.

To change the settings for metering mode:

1. Enter the code ***1383201#** in the idle screen to activate metering mode.
2. Press the OK key to enter the main menu, and then select **Settings->Telephony->Metering Mode**.



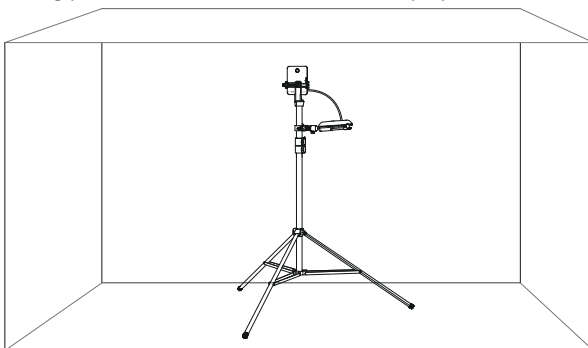
3. Select the desired unit (dBm or %) for RSSI.
4. Select the desired measurement interval.
Value range: 5-15 (0.8s-2.4s). Recommended value: 6.
5. Press the **Save** soft key.

To exit the metering mode:

1. Press the OK key to enter the main menu, and then select **Settings->Telephony->Metering Mode**.
2. Disable the metering mode.
3. Press the **Save** soft key.

Taking Measurements

1. Select the first measuring point, and mount the base station on a proper location of the stand.



2. Set up communications between two handsets, and measure the radio coverage.
You can connect headsets to the measuring handsets so that you can assess the quality of the sound transmitted from the measuring base station. It also means that your hands are free to enter the locations determined in the plan and you can read the LCD screen during the measurement.

Note: The handsets are already registered to the measuring base station out of the box. If two people perform the measurements, you can check the voice quality by establishing a connection between the two measuring handsets. If you perform the measurements alone, you can enter **#*9** via the keypad to place an analog call.

3. Check the current status values of the connection to determine the second location of the base station.
The recommended RSSI value is between -28dBm and -70dBm , and the Frame quality is 100%.
4. Move the base station to the second location, and adjust the base station to a proper position of the stand.
5. Repeat steps 2 and 3 to determine more locations of the base station.

Regulatory Notices

Operating Ambient Temperatures

- Operating temperature: +32 to 104°F (0 to 40°C)
- Relative humidity: 5% to 90%, noncondensing
- Storage temperature: -22 to +160°F (-30 to +70°C)

Warranty

Our product warranty is limited only to the unit itself, when used normally in accordance with the operating instructions and the system environment. We are not liable for damage or loss resulting from the use of this product, or for any claim from a third party. We are not liable for problems with Yealink device arising from the use of this product; we are not liable for financial damages, lost profits, claims from third parties, etc., arising from the use of this product.

Explanation of the symbols

● DC symbol

■ is the DC voltage symbol.

● WEEE Warning symbol

To avoid the potential effects on the environment and human health as a result of the presence of hazardous substances in electrical and electronic equipment, end users of electrical and electronic equipment should understand the meaning of the crossed-out wheeled bin symbol. Do not dispose of WEEE as unsorted municipal waste and have to collect such WEEE separately.

Restriction of Hazardous Substances Directive (RoHS)

This device complies with the requirements of the EU RoHS Directive. Statements of compliance can be obtained by contacting support@yealink.com.

Safety Instructions

Save these instructions. Read these safety instructions before use!

General Requirements

- Before you install and use the device, read the safety instructions carefully and observe the situation during operation.
- During the process of storage, transportation, and operation, please always keep the device dry and clean, avoid collision and crash.
- Please attempt not to dismantle the device by yourself. In case of any discrepancy, please contact the appointed maintenance center for repair.
- Please refer to the relevant laws and statutes while using the device. Legal rights of others should be respected as well.

Environmental Requirements

- Do not cover ventilation openings, this equipment is not intended to be used on soft support.
- The marking information is located at the exterior of the bottom.
- Place the device at a well-ventilated place. Do not expose the device under direct sunlight.
- Keep the device dry and free of dusts.
- Do not place the device on or near any inflammable or fire-vulnerable object, such as rubber-made materials.
- Keep the device away from any heat source or bare fire, such as a candle or an electric heater.

Operating Requirements

- Do not let a child operate the device without guidance.
- Do not let a child play with the device or any accessory in case of accidental swallowing.
- Please use the accessories provided or authorized by the manufacturer only.
- The power supply of the device shall meet the requirements of the input voltage of the device. Please use the provided surge protection power socket only.
- Before plugging or unplugging any cable, make sure that your hands are completely dry.
- Do not spill liquid of any kind on the product or use the equipment near water, for example, near a bathtub, washbowl, kitchen sink, wet basement or near a swimming pool.
- During a thunderstorm, stop using the device and disconnect it from the power supply. Unplug the power plug and the Asymmetric Digital Subscriber Line (ADSL) twisted pair (the radio frequency cable) to avoid lightning strike.
- If the device is left unused for a rather long time, disconnect it from the power supply and unplug the power plug.

About Yealink

Yealink is a global leading provider of enterprise communication and collaboration solutions, offering video conferencing service to worldwide enterprises. Focusing on research and development, Yealink also insists on innovation and creation. With the outstanding technical patents of cloud computing , audio, video and image processing technology, Yealink has built up a panoramic collaboration solution of audio and video conferencing by merging its cloud services with a series of endpoints products. As one of the best providers in more than 140 countries and regions including the US, the UK and Australia, Yealink ranks No.1 in the global market share of SIP phones shipments.

Technical Support

Visit Yealink WIKI (<http://support.yealink.com/>) for the latest firmware, guides, FAQ, Product documents, and more. For better service, we sincerely recommend you to use Yealink Ticketing system (<https://ticket.yealink.com/>) to submit all your technical issues.

- When there is smoke emitted from the device, or some abnormal noise or smell, disconnect the device from the power supply, and unplug the power plug immediately.
- Contact the specified maintenance center for repair.
- Do not insert any object into equipment slots that is not part of the product or auxiliary product.
- Before connecting a cable, connect the grounding cable of the device first. Do not disconnect the grounding cable until you disconnect all other cables.

Battery Requirements

- Do not immerse the battery into water, which could short-circuit and damage the battery.
- Do not expose the battery to an open flame or leave the battery where it could be subjected to extremely high temperatures, which could cause the battery to explode.
- Do power the handset off before removing the battery.
- Do not try to use the battery for the power supply of any device other than this handset.
- Do not open or mutilate the battery, released electrolyte is corrosive and may cause damage to your eyes or skin.
- Use only the rechargeable battery pack delivered with the handset or those rechargeable battery packs expressly recommended by Yealink.
- Defective or exhausted battery should never be disposed of as municipal waste. Return old battery to the battery supplier, a licensed battery dealer or a designated collection facility.

Cleaning Requirements

- Before cleaning the device, disconnect it from the power supply.
- Use a piece of soft, dry and anti-static cloth to clean the device.
- Keep the power plug clean and dry.

Troubleshooting

The unit cannot supply power to Yealink device.

There is a bad connection with the plug.

1. Clean the plug with a dry cloth.
2. Connect it to another wall outlet.

The usage environment is out of operating temperature range.

1. Use in the operating temperature range.

The cable between the unit and the Yealink device is connected incorrectly.

1. Connect the cable correctly.
- You cannot connect the cable properly.

1. You may have connected a wrong Yealink device.

2. Use the correct power supply.

Some dust, etc., may be in the port.

1. Clean the port.

Contact your dealer or authorized service facility for any further questions.

FCC Statement

This device complies with part 15 of the FCC Rules. Operation is subject to the following two conditions: (1) this device may not cause harmful interference, and (2) this device must accept any interference received, including interference that may cause undesired operation. Any Changes or modifications not expressly approved by the party responsible for compliance could void the user's authority to operate the equipment.

IC Statement

1.This device complies with Industry Canada's licence-exempt RSSs. Operation is subject to the following two conditions:

- (1) this device may not cause interference; and
- (2) this device must accept any interference, including interference that may cause undesired operation of the device. CAN ICES-3(B)

Le présent appareil est conforme aux CNR d'Industrie Canada applicables aux appareils radio exempts de licence. L'exploitation est autorisée aux deux conditions suivantes :

- (1) l'appareil ne doit pas produire de brouillage;
- (2) l'utilisateur de l'appareil doit accepter tout brouillage radioélectrique subi, même si le brouillage est susceptible d'en compromettre le fonctionnement.NMB-3(B)

2.The handset device meets CS03 Part V.

"This device meets the applicable Innovation, Science and Economic Development Canada technical specifications. / Ce produit répond à la innovation, des sciences et de Développement économique Canada spécifications techniques applicables."

Radiation Exposure Statement

This equipment complies with FCC and IC radiation exposure limits set forth for an uncontrolled environment. This equipment should be installed and operated with minimum distance 20cm between the radiator and your body.

Cet émetteur ne doit pas être Co-placé ou ne fonctionnant en même temps qu'aucune autre antenne ou émetteur. Cet équipement devrait être installé et actionné avec une distance minimum de 20 centimètres entre le radiateur et votre corps.

Contact Information

YEALINK NETWORK TECHNOLOGY CO.,LTD.
309, 3rd Floor, No.16 Yun Ding North Road, Huli District, Xiamen City, Fujian, P.R.C
YEALINK (EUROPE) NETWORK TECHNOLOGY B.V.
Strawinsyalaan 3127, Atrium Building, 8th floor, 1077ZX Amsterdam, The Netherlands
YEALINK (USA) NETWORK TECHNOLOGY CO., LTD.
999 Peachtree Street Suite 2300, Fulton, Atlanta, GA, 30309, USA
Made in China



Deployment ToolKit-EN



YEALINK(XIAMEN) NETWORK TECHNOLOGY CO.,LTD.
Web: www.yealink.com
Copyright©2019 YEALINK(XIAMEN) NETWORK TECHNOLOGY CO.,LTD.All rights reserved.