

GENERAL INFORMATION

This product has been manufactured by or on behalf of Gembird Europe B.V. Inquiries to the EU Importer or related to product compliance in Europe should be sent to: Gembird Europe B.V., Wittevrouwen 56, 1358 CD, Almere, The Netherlands. www.gmb.nl

Warranty conditions: www.gmb.nl/warranty

Product support: www.gmb.nl/service and/or helpdesk@gembird.nl

SAFETY

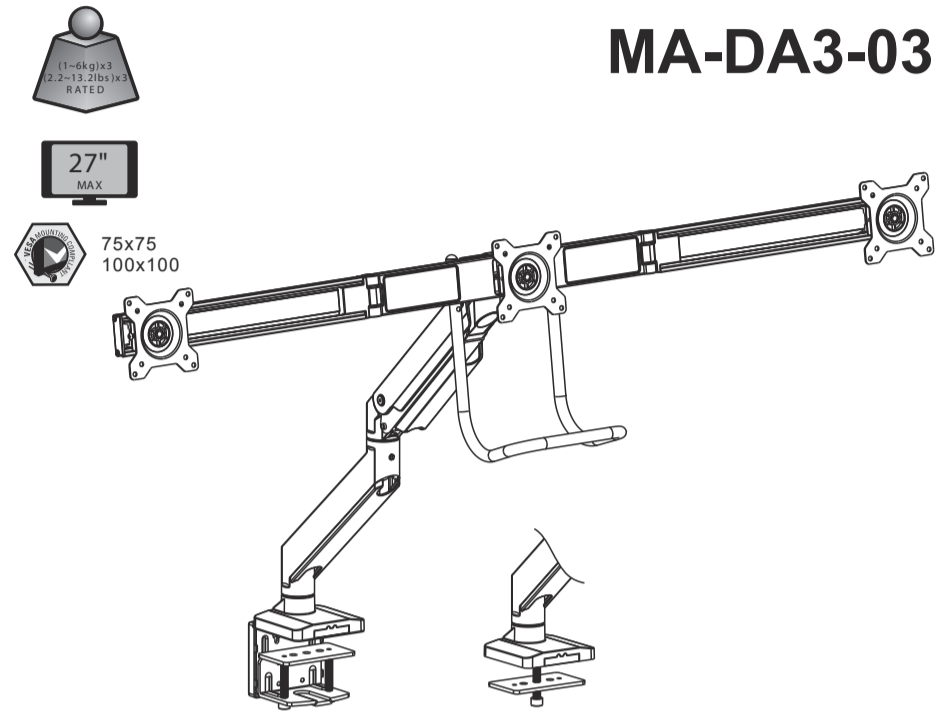
(ENG) To ensure safe handling of the product, follow the safety advice on: (DE/AT) Hinweise zum sicheren Gebrauch der Produkte finden Sie auf: (NL/BE) Voor een veilig gebruik van het product volgt u deze algemene veiligheidsaanwijzingen op: (ES) Para garantizar una manipulación segura de los dispositivos, siga las advertencias de seguridad disponibles en: (CZ) Abyste zajistili bezpečnou manipulaci s výrobkem, dodržujte bezpečnostní pokyny na: (FR/BE) Pour garantir une manipulation sûre des appareils, suivez les consignes de sécurité sur: (IT) Per garantire una manipolazione sicura del prodotto, seguire i consigli di sicurezza su: (PT) Para garantir o manuseio seguro do produto, siga as recomendações de segurança em: (PL) Aby obchodząc się bezpiecznie z produktami, należy przestrzegać wskazówek dotyczących bezpieczeństwa: (RO) Pentru asigurarea unei manipulări în condiții de siguranță a produsului, urmați recomandările de securitate de pe: (SK) Za zaogotavljanje varnega ravnanja z napravami, upoštevajte varnostna navodila, ki jih najdete na: (HR) Da biste osigurali sigurno rukovanje uređajima, pratite sigurnosne savjete na web-mjestu: (HU) A készülékek biztonságos kezelésének érdekében kövesse a biztonsági tanácsokat (BG) За да осигурите безопасна работа на устройствата, следвайте съветите за безопасност по-долу: www.gmb.nl/safety

EN/ WARRANTY CONDITIONS The receipt must clearly list the date of purchase and the part number, in addition it should be printed. Keep the receipt for the entire warranty period since it is required for all warranty claims. During the warranty period the defective items will be credited, repaired or replaced at the manufacturer's expense. Work carried out under the warranty neither extends the warranty period nor starts a new warranty period. The manufacturer reserves the right to void any warranty claim for damages or defects due to misuse, abuse or external impact (falling down, impact, ingress of water, dust, contamination or break). Wearing parts (e.g. rechargeable batteries) are excluded from the warranty. Upon receipt of the RMA goods, Gembird Europe B.V. reserves the right to choose between replacement of defective goods or issuing a credit note. The credit note amount will always be calculated on the basis of the current market value of the defective products. Gembird Europe B.V. Wittevrouwen 56, 1358CD Almere, The Netherlands. www.gmbird.nl/service



USER MANUAL • HANDBUCH • HANDLEIDING • MANUALE D'USO • MANUAL DE USUARIO • MANUAL DO USUÁRIO • MANUEL DESCRIPTIF • INSTRUKCJA OBSŁUGI • UŽIVATELSKÝ MANUÁL • ІНСТРУКЦІЯ КОПИСТУВАЧА • POUŽIVATELSKÁ PRÍRUČKA • VARTOTOJD VADOVAB • MANUAL DE UTILIZARE

MA-DA3-03



DESK MOUNTED ADJUSTABLE MONITOR ARM FOR 3 MONITORS, 17"-27", UP TO 6 KG

